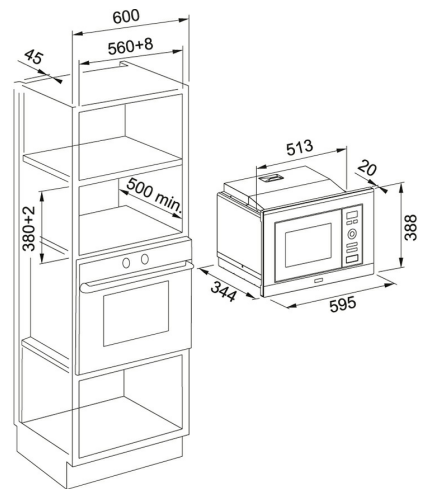


Stainless Steel | 131.0632.992

FAMILY : Ovens | INSTALLATION TYPE : Built-In | SERIE : Linear | FINISH : Stainless Steel | MODEL : FSL 20 MW XS

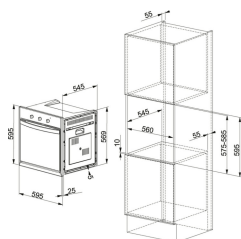


TECHNICAL DATA

Type	Combined microwave oven with grill
Voltage	230 V
Type of Controls	ELECTRO-MECHANIC
Number of functions	6
Programmer	ELECTRONIC
Timer	95 min
Cavity capacity	20-LITERS
Width overall	595.00 mm
Depth Overall	344.00 mm
Height Overall	388.00 mm

FAMILY : **Ovens** | INSTALLATION TYPE : **Built-In** | SERIE : **Linear** | FINISH : **Stainless Steel** | MODEL : **FSL 20 MW XS**

RECOMMENDED



116.0541.715

106.0374.288
