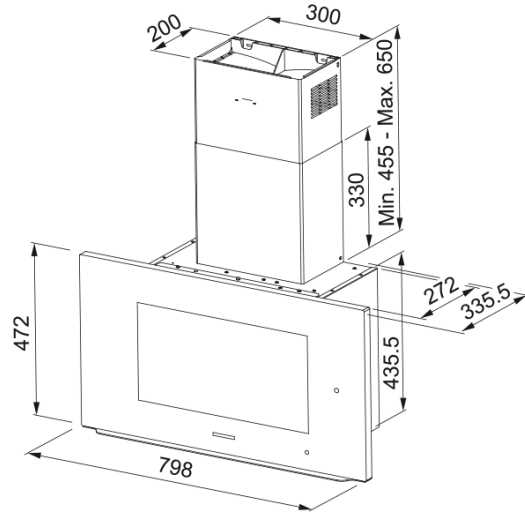
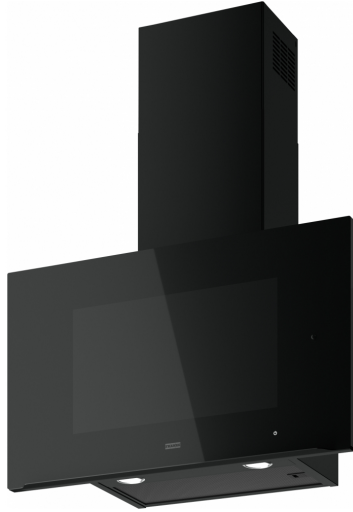


# HOOD FKAS A80 BK FRANKE | 330.0657.269



## Technical Data

### Product Information

Hood category	Vertical
Finish	Black

### Dimensions

Width in mm	800.0
Diam. air outlet	150

### Energy specifications

Plug type	Connector
Annual energy consumption AEC	57.8
F. dynamic efficiency class	A
Light Efficiency Class	B
Grease filtering efficiency cl	C
Motor voltage	220-240V 50-60Hz
Motor Gr comm.name	SP A+
Number of motor	1

### Installation

Installation	Wall
--------------	------

### Performance

Speed	1
Flow (m <sup>3</sup> h)	280.0
Press. max	450.0
Watt	150.0
Noise level (db)	48.0
Speed	2
Flow (m <sup>3</sup> h)	400.0
Press. max	510.0
Watt	200.0
Noise level (db)	55.0

Speed	3
Flow (m <sup>3</sup> h)	580.0
Press. max	550.0
Watt	240.0
Noise level (db)	62.0
Speed	BOOST
Flow (m <sup>3</sup> h)	740.0
Press. max	560.0
Watt	250.0
Noise level (db)	67.0
<b>Product specifications</b>	
Air quality sensor	Yes
Energy efficiency class	A
<b>Product Identification</b>	
Product brand	FRANKE
Product family	Mythos
Model range	AQ SENSE
<b>Properties</b>	
Number of lamp	2
Lamp type	Led S1000 TW
Remote control	No
Waterproof	No
UI type	PCB
Speed number	See setting file
Speed setting	3+i
24H	Timed
Delay	Yes 30'
Sensor self start	No
WI-FI	Yes
Filter typology	Cassette
Type of filter	Aluminium
Charcoal filter	Yes