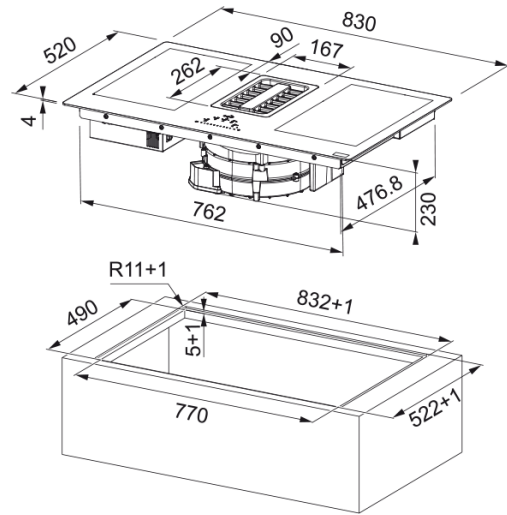


HOOD FMA 839 HI FRANKE | 340.0595.364



Technical Data

Product Information

Color	Black
Finish	Glass
Power limitation	Yes

Dimensions

Commercial dimension	83X52
----------------------	-------

Energy specifications

Total power	7.4
Voltage & frequency	220-240V 50-60Hz

Installation

Filter typology	Hobextractor
-----------------	--------------

Performance

Speed	1
Flow (m ³ h)	245.0
Press. max	290.0
Watt	35.0
Noise level (db)	51.0
Speed	2
Flow (m ³ h)	285.0
Press. max	370.0
Watt	45.0
Noise level (db)	55.0
Speed	3
Flow (m ³ h)	350.0
Press. max	525.0
Watt	60.0
Noise level (db)	57.0
Speed	8

Flow (m ³ h)	505.0
Press. max	550.0
Watt	125.0
Noise level (db)	65.0
Speed	BOOST1
Flow (m ³ h)	550.0
Press. max	555.0
Watt	140.0
Noise level (db)	66.0
Speed	BOOST
Flow (m ³ h)	700.0
Press. max	560.0
Watt	220.0
Noise level (db)	72.0
Product specifications	
Bridge	Yes
Safety lock	Yes
Energy efficiency class	A++
Keep warm	Yes
Melting	No
Grill	No
Product Identification	
Product brand	FRANKE
Product family	Maris
Model range	MARIS
Properties	
Control	Smart KII touch slider
Digit color	Red
Cooking zone	4
Waterproof	Yes
Timer	Yes
Booster	4
Stop&Go	Yes
Hob/hood connection	No
Color back_LEDind_display	N/A
Grease filtering efficiency cl	B
Type of filter	Aluminium
Charcoal filter	No